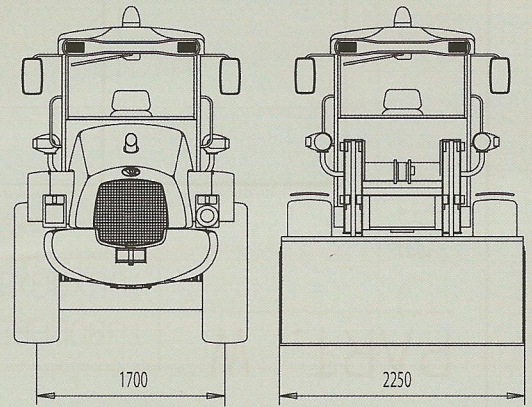
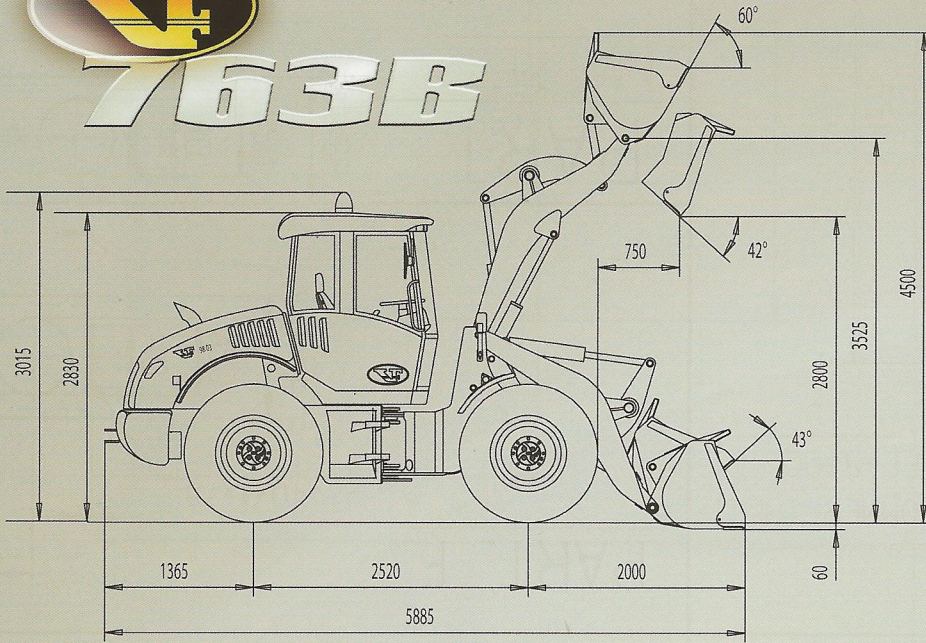




763B



Loading bucket (kg)

Static tipping load, full turn	4.350
Payload (50%)	2.175

Loading fork (kg) - centre of gravity 500 mm

Static tipping load, full turn	3.600
Payload EN 474-3 (80%)	2.900
Payload EN 474-3 (60%)	2.200
Payload DIN 24094 (50%)	1.800

