

## Mini-Road Paver Wheeled APW 150 G

**Unique machine for its applications, ideal for small job-sites.** APW 150 G offers a combination of original simple design and proven technology. APW 150 G is particularly successful for small road repairs and for paving areas where cable installation has to be put in place. The compact design allows it to work in a single lane with minimum disruption to traffic and in restricted space applications.



Three wheel paver, two rears for traction and one front for steering. Fixed hopper, side chargeable by skid-loader. Standing drive on rear platform. Air-cooled diesel engine with electric start/stop, assembled together with the hydraulic pumps. Hydrostatic transmission with variable flow rate pump that feeds two orbital motors. The two orbital motors are fitted to the

planetary drives of the traction. A proportional hydraulic-control, mounted on the variable flow pump, allows the progressive start and stop, by a hydraulic manipulator. Hydraulic steering with lever distributor.

### Feeding of material

Conveyor belt with anti-wearing steel slats and hydraulic transmission. One paddle microswitch on the conveyor controls the flow of material.

### Screed with options

The mini-paver is equipped with the PSB 150 G screed, gas heated, extendible for a 800–1300 mm layer (option for mechanical extensions for a 1650 mm layer). The extension of the screed is manual, the lifting up and down is hydraulic by a manual lever.

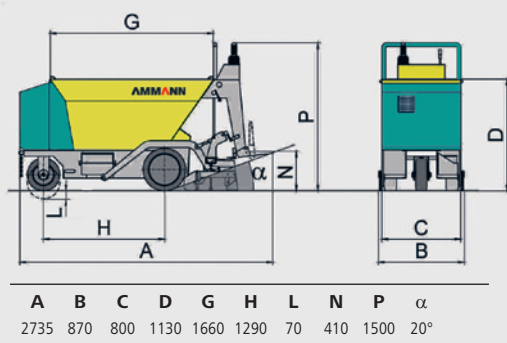
### APPLICATIONS

- ..... footpaths
- ..... cycle tracks
- ..... trenches closure
- ..... layers on low weight-bearing surfaces
- ..... alleys in old town
- ..... layers underneath narrow porticos

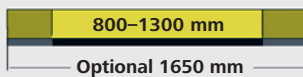


# Technical specification

## Dimensions:



## Max paving widths:



Equipment	
<b>Standard</b>	
Automatic gas burner ignition and temperature control	
Reduction plates for screed paving width at 250 mm	
<b>Optional</b>	
Mechanical extensions (2x175 mm) till 1650 mm	
Vibrating system	
Twin wheels	

## Wheeled Paver APW 150 G

Length (transport)	mm	2550
Dimensions		(see ill.)
<b>Engine</b>		
Manufacturer		Hatz 1B40
Type		Air cooling diesel
No. of cylinders		1
Power (DIN/ISO 3046/1) at 2600 rpm	kW	6.3 (8.5 PS)
Max torque		Nm 25 at 2000 rpm
Generator		12 V–14 A
<b>Brakes</b>		
Service brake		Hydrostatic
Parking brake/Emergency		Multiple disks negative brake on reduction gears
<b>Traction – Steering</b>		
Transmission type		Hydrostatic
Steering type		Hydraulic
Internal turning radius	m	0.80
<b>Performances</b>		
Spread layer width	mm	800–1300
Max spread layer width (with mech. ext.)	mm	1650
Heating		Gas
Production	t/h	35
Layer thickness	mm	5–100
Hopper capacity	m <sup>3</sup>	0.6
Speed (transfer)	km/h	0–2.5
<b>Tank capacity</b>		
Fuel tank	l	5
Hydraulic oil	l	15
<b>Wheels</b>		
Traction		n° 2 Ø 432 x 127
Steering		n° 1 Ø 330 x 152
<b>Weights (CECE)</b>		
Paver with screed	kg	940

